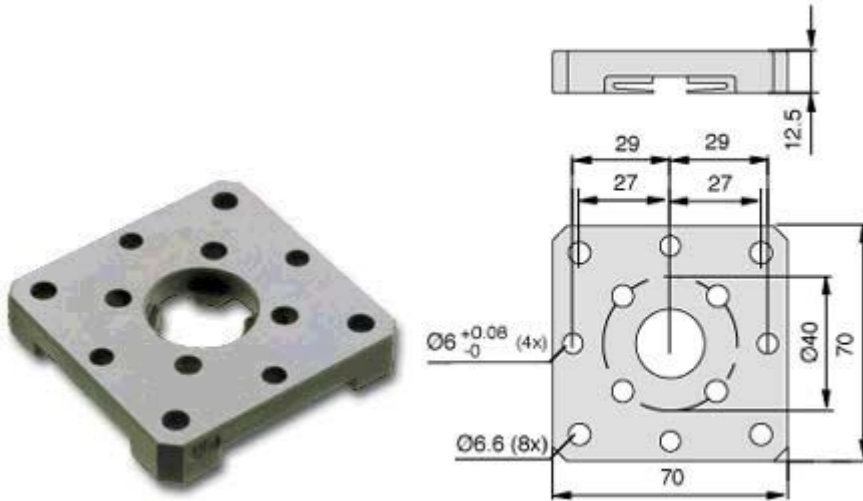


MacroHP. Electrode holders & pallets**3R-601.7E-P****Reference element 70x70 mm**

Hardened and precision cast with clearance holes for eight fixing screws.

Note: Must be mounted on the workpiece/fixure before it is locked in a chck.

- Adapted for automatic changing.
- Fixed index positions 4x90°.
- Supplied in sets of five.
- Parallel-ground top and bottom faces.
- Rust-resistant.
- Flushing duct.
- Weight per set 3 kg.