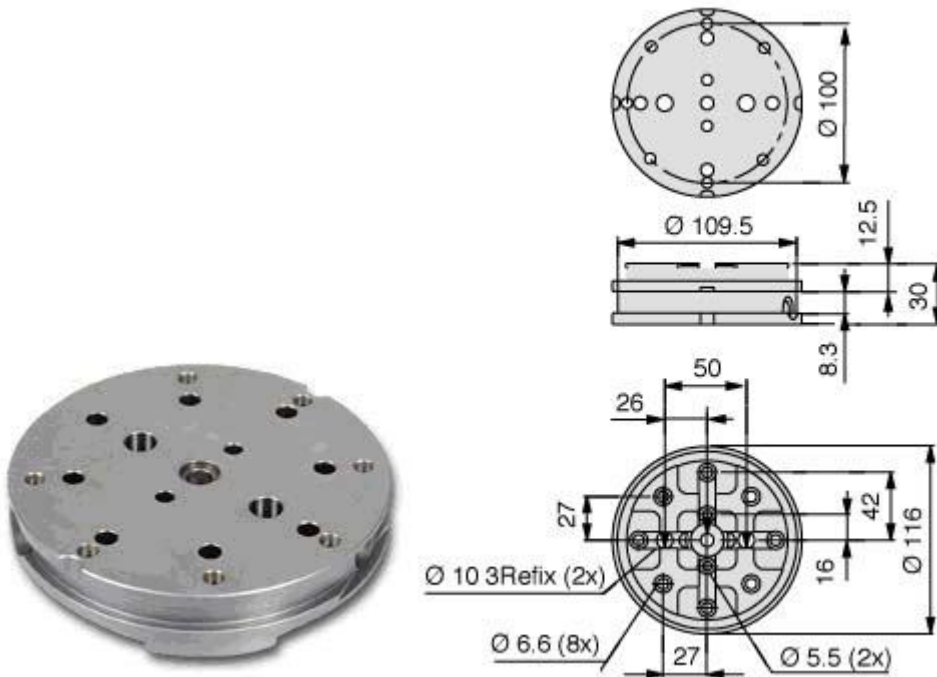


**MacroHP.** Electrode holders & pallets**3R-601.52****Pallet Ø116 mm**

Hardened, with 3Refix holes and clearance holes for ten fixing screws.

NOTE: In Germany replaced by 3R-601.52-X. Further information see [www.system3r.com/de](http://www.system3r.com/de)

- 3Refix Ø10 mm.
- Adapted for automatic changing.
- Fixed index positions 4x90°.
- Ready for code carrier.
- Parallel-ground top and bottom faces.
- Rust-resistant.
- Flushing connection.
- Flushing duct.
- Weight 1.9 kg.