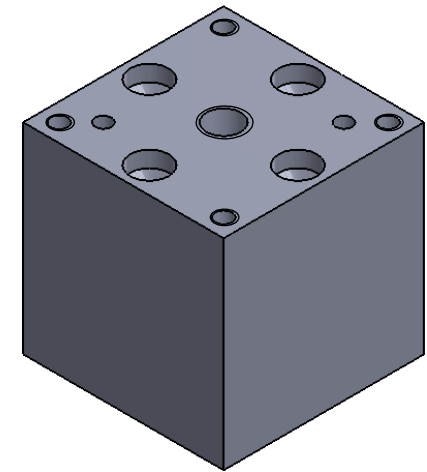
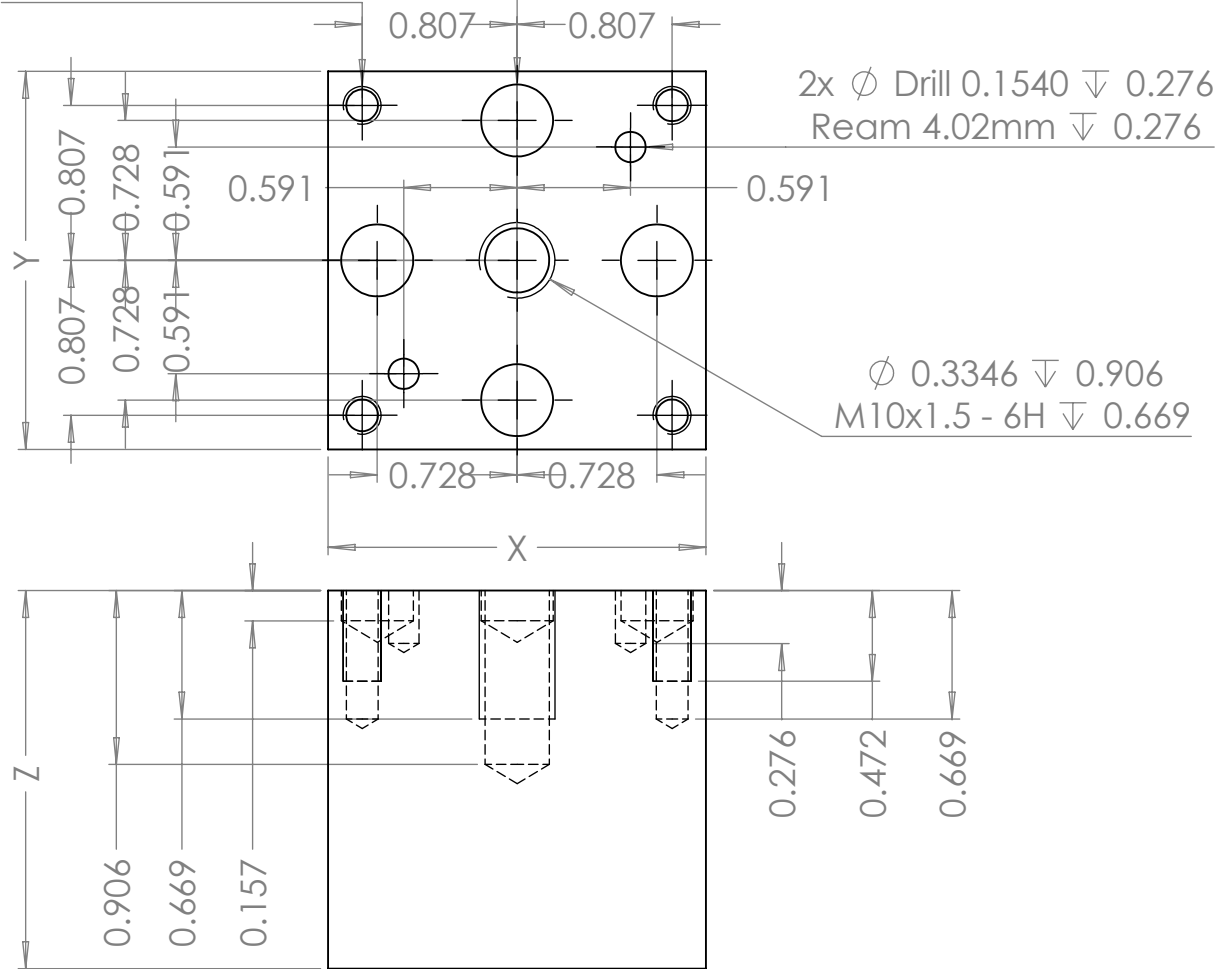


4x \varnothing 0.1654 ∇ 0.669
M5x0.8 - 6H ∇ 0.472

4x \varnothing 0.375 CLEARANCE ∇ 0.157



SCALE 3 : 4

PROPRIETARY AND CONFIDENTIAL
THE INFORMATION CONTAINED IN THIS DRAWING IS THE SOLE PROPERTY OF OHIO CARBON BLANK, INC. ANY REPRODUCTION IN PART OR AS A WHOLE WITHOUT THE WRITTEN PERMISSION OF OHIO CARBON BLANK IS PROHIBITED.

		UNLESS OTHERWISE SPECIFIED:		NAME	DATE	TITLE: Erowa 50mm Pattern		
		DIMENSIONS ARE IN INCHES		DRAWN	BS			5/18/21
		TOLERANCES:		CHECKED	JB			5/18/21
		ANGULAR: \pm 1°		ENG APPR.				
		2-PLACE DECIMAL \pm .010		MFG APPR.			SIZE DWG. NO. REV A Erowa-50-mm-Pattern A	
		3-PLACE DECIMAL \pm .005		Q.A.				
		4-PLACE DECIMAL \pm .0005		COMMENTS:				
		INTERPRET GEOMETRIC TOLERANCING PER:						
		MATERIAL						
		FINISH						
NEXT ASSY	USED ON							
APPLICATION		DO NOT SCALE DRAWING						

5

4

3

2

1

SCALE: 1:1

WEIGHT:

SHEET 1 OF 1